

DS-2DE5176/74(E/E3)

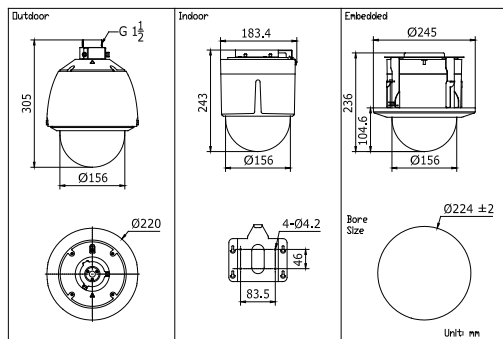
1.3MP Network PTZ Dome Camera



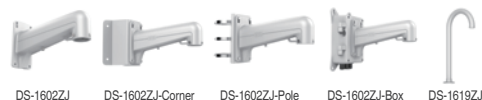
Key features

- 1/3" Progressive Scan CMOS
- 1280 × 960 HD resolution
- 30X / 20X optical zoom, 16X digital zoom
- True Day/Night, 3D DNR, Digital WDR
- 3D intelligent positioning
- 24VAC / PoE+ power supply

Dimensions



Accessories



Available models

DS-2DE5176-A: 24VAC, outdoor
 DS-2DE5176-AE: PoE+ & 24VAC, outdoor
 DS-2DE5176-A3: 24VAC, indoor
 DS-2DE5176-AE3: PoE+ & 24VAC, indoor

DS-2DE5174-A: 24VAC, outdoor
 DS-2DE5174-AE: PoE+ & 24VAC, outdoor
 DS-2DE5174-A3: 24VAC, indoor
 DS-2DE5174-AE3: PoE+ & 24VAC, indoor

	DS-2DE5176-A(3) DS-2DE5176-AE(3)	DS-2DE5174-A(3) DS-2DE5174-AE(3)
Camera		
Image sensor	1/3" Progressive Scan CMOS	
Effective pixel	1320K pixels	
Min. illumination	Color : 0.05 lux (F1.6, 1/30 sec, 50 IRE, AGC On); B/W : 0.01 lux (F1.6, 1/30 sec, 50 IRE, AGC On) Color : 0.02 lux (F1.6, 1/1 sec, 50 IRE, AGC On); B/W : 0.002 lux (F1.6, 1/1 sec, 50 IRE, AGC On)	
White balance	Auto / Manual /ATW/Indoor/Outdoor/Daylight lamp/Sodium lamp	
AGC	Auto / Manual	
S / N ratio	≥ 52dB	
Digital noise Reduction	3D DNR	
Backlight compensation	HLC/BLC	
Wide dynamic range	Digital WDR	
Defog	Support	
Shutter speed	1 ~1/10,000s	
Day & Night	IR Cut Filter	
Digital zoom	16X	
Privacy masking	2 privacy masks programmable	
Focus mode	Auto / Semiautomatic / Manual	
Lens		
Focal length	4.3 ~ 129mm, 30x	4.7 ~ 94.0mm, 20x
Zoom speed	Approx.3s(Optical Wide-Tele)	Approx.3s(Optical Wide-Tele)
Angle of view	58.9 ~ 2.11degree (Wide-Tele)	58.3 ~ 3.2 degree (Wide-Tele)
Min. working distance	10 ~ 1,500mm(Wide-Tele)	10 ~ 1,000mm(Wide-Tele)
Aperture range	F1.6 ~ F5.0	F1.4 ~ F3.5
Pan and Tilt		
Pan / Tilt range	Pan: 360° endless;Tilt: -5° ~90°(Auto Flip)	
Pan / Tilt speed	Pan Manual Speed: 0.1° ~250°/s, Pan Preset Speed: 300°/s Tilt Manual Speed: 0.1° ~150°/s, Tilt Preset Speed: 200°/s	
Proportional zoom	Rotation speed can be adjusted automatically according to zoom multiples	
Number of preset	300	
Park action	Pattern/Pan scan/Tilt scan/Frame scan/Panorama scan/Random scan	
Patrol	8 patrols, up to 32 presets per patrol	
Power-off memory	Support	
PTZ position display	Support	
Preset freezing	Support	
Scheduled task	Preset / Patrol / Pattern / Pan scan / Tilt scan / Random scan / Frame scan / Panorama scan/Dome reboot/Self-test action/Aux Output	
Input/ Output		
Audio Input	1 Mic in/Line in interface, Line input: 2 ~ 2.4V[p-p]; output impedance: 1KΩ, ±10%	
Audio Output	1 Audio output interface, Line level, impedance: 600Ω	
Alarm Input	2 (0-5v DC)	
Alarm Output	1 relay output, alarm response actions configurable	
Alarm Trigger	Intrusion detection, Line crossing detection, Motion detection, Audio Exception Detection, Dynamic analysis, Tampering alarm, Network disconnect, IP address conflict, Storage exception	
Alarm Actions	Preset, Patrol, Pattern, Recording, Relay output, Upload center, upload FTP, email linkage	
Network		
Ethernet	10Base-T / 100Base-TX, RJ45 connector	
Max. Image Resolution	1280×960	
Frame Rate	50Hz: 25 fps (1280×960) , 25 fps (1280×720) 60Hz: 30 fps (1280×960) , 30 fps (1280×720)	
Image Compression	H.264/MJPEG	
ROI encoding	Support 2 areas with adjustable levels	
Audio Compression	G.711/G.722/G.726/MP2L2	
Protocols	IPv4/IPv6, HTTP, HTTPS, 802.1x, Qos, FTP, SMTP, UPnP, SNMP, DNS, DDNS, NTP, RTSP, RTP, TCP, UDP, IGMP, ICMP, DHCP, PPPoE	
Simultaneous Live View	Up to 20	
Streams	Dual streams	
SD Memory Card	Micro SD Slot, up to 64GB, edge recording	
User/Host Level	Up to 32 users, 3 Levels: Administrator, Operator, User	
Security Measures	User authentication (ID and PW), Host authentication (MAC address), IP address filtering	
Integration		
Application programming	Open-ended API, support Onvif, PSIA, CGI and Genetec; Support ezviz cloud P2P	
Web Browser	IE 7+, Chrome 18+, Firefox 5.0+, Safari 5.02+	
General		
Power	24 VAC(-A model); 24 VAC/PoE+(-AE model) Max. 22W (Heater On) Max. 14W(Heater Off)	
Working Temperature	-A(E): -30°C ~ 65°C(-22°F ~ 149°F); -A(E)3: -10°C ~ 50°C(14°F ~ 122°F)	
Humidity	90% or less	
Protection Level	IOutdoor: IEC60068-275Eh, 20J; EN50102, up to IK10; Indoor: IEC60068-275Eh, 10J; EN50102, up to IK09	
Dimensions	Φ220×305mm (Φ8.66"×12.02") (Outdoor) Φ183.4×243mm (Φ7.22"×9.56") (indoor incelling) Φ245×236mm (Φ9.65"×9.29") (indoor in-ceiling)	
Weight (approx.)	3Kg (6.61lbs)	
Mount Option (for outdoor models)	Long-arm wall mount: DS-1602ZJ; Corner mount: DS-1602ZJ-corner; Pole Mount: DS-1602ZJ-pole; Power box mount:DS-1602ZJ-box;Swan-neck mount: DS-1619ZJ	

NOTE: Indoor models support ceiling and in-ceiling mount.